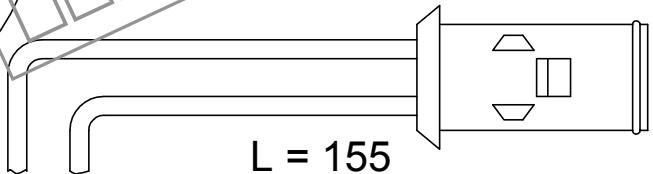
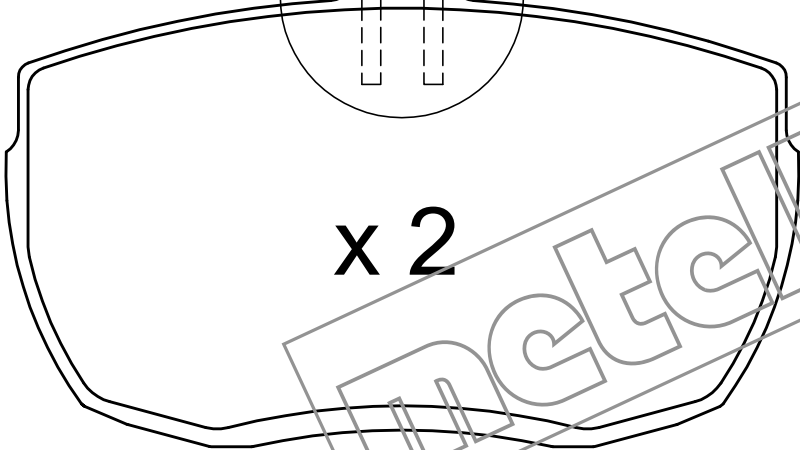
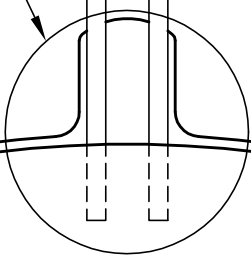


metelli

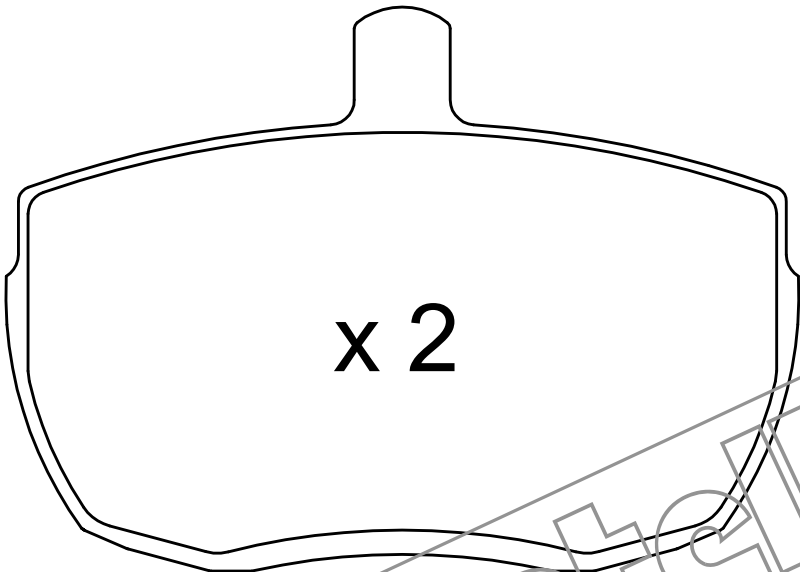
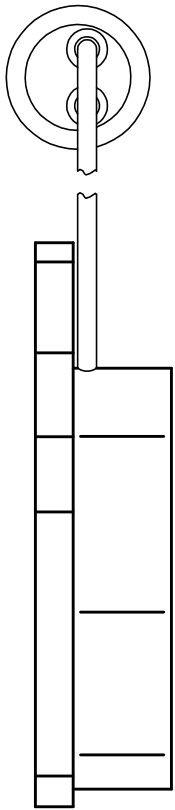


L = 155

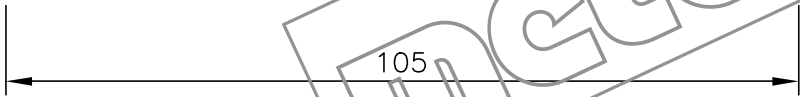


x 2

metelli

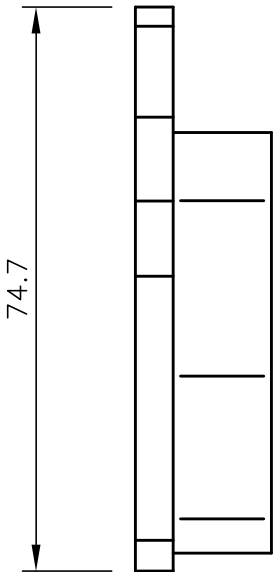


x 2

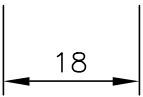


105

metelli



74.7



18