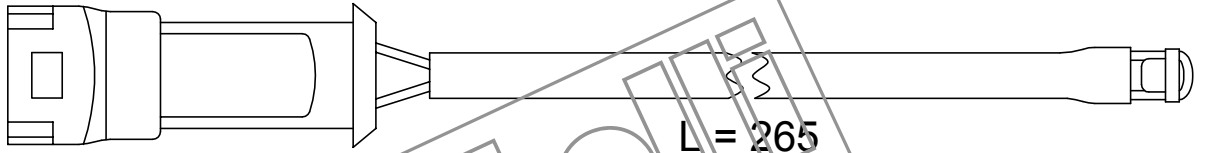
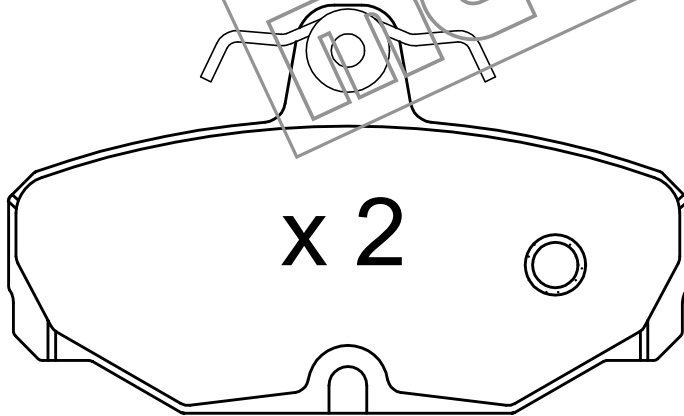


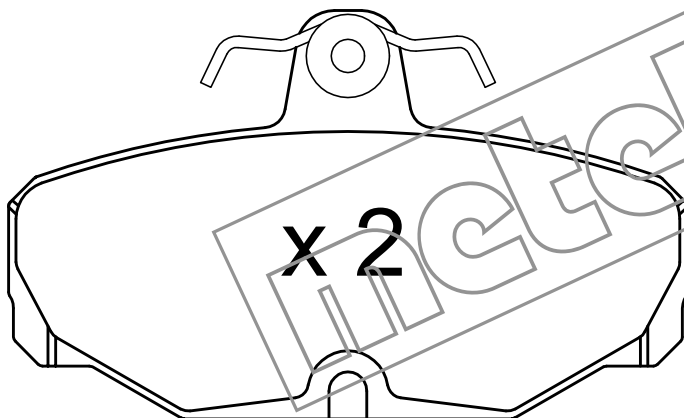
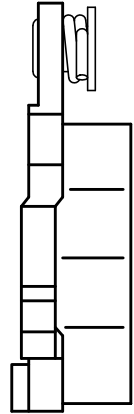
x 2



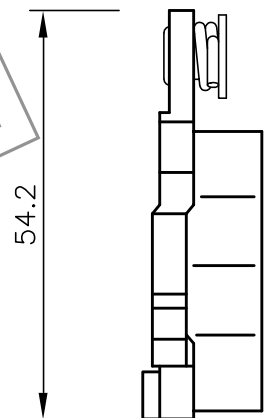
L = 265



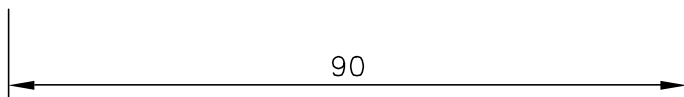
x 2



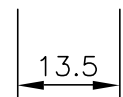
x 2



54.2



90



13.5

metelli