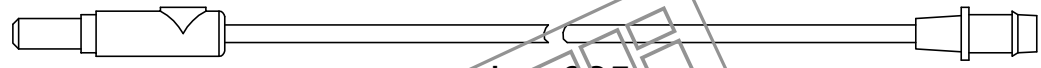
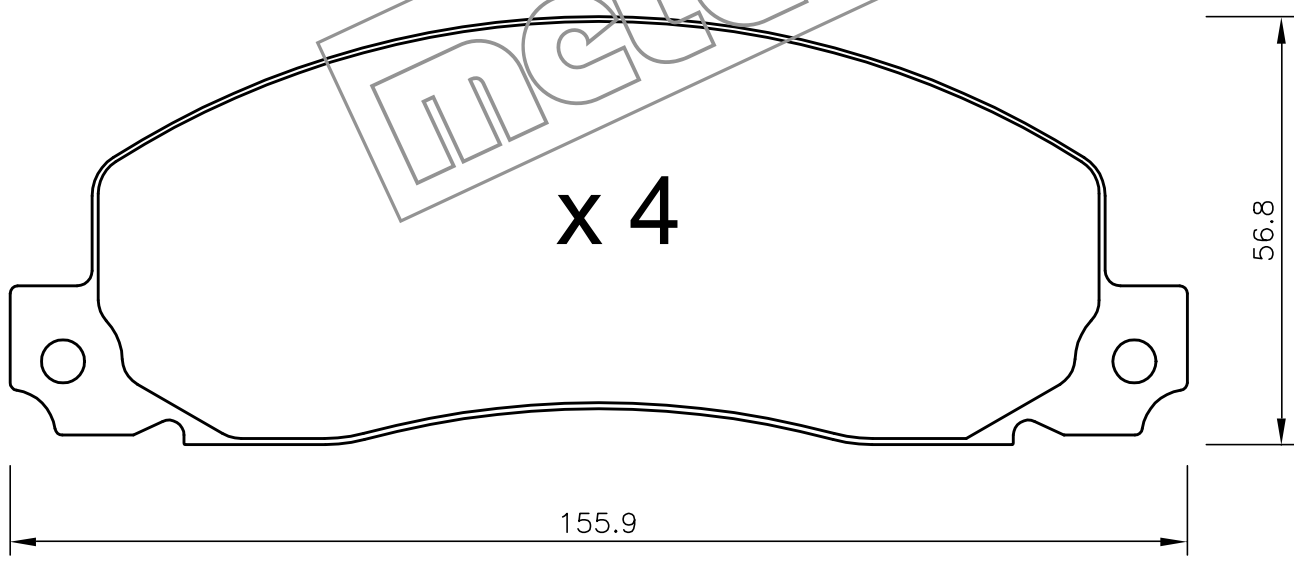


x 2



L = 325

x 4



155.9

56.8



18.5

metelli