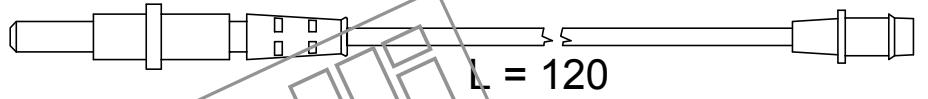


x 2

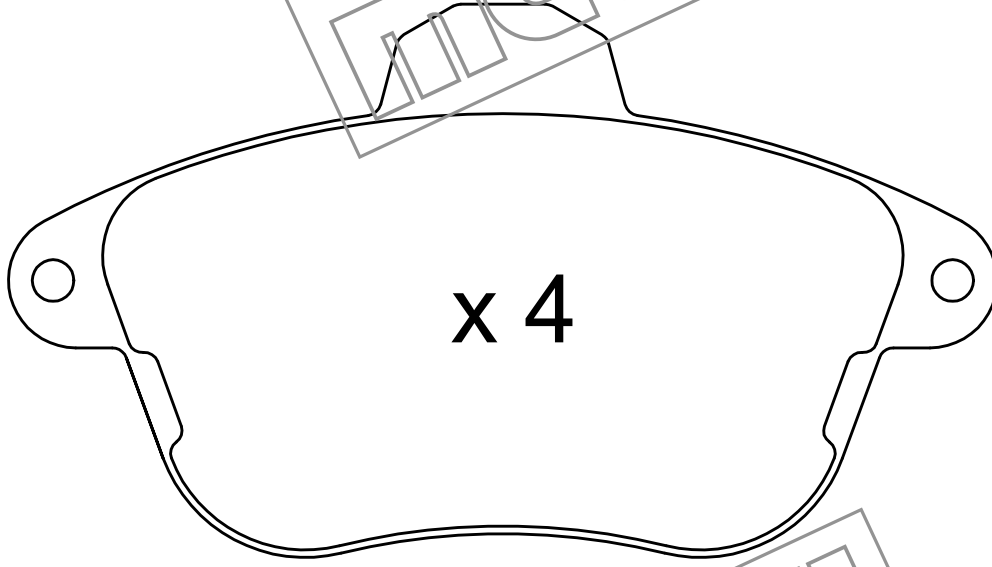


L = 120

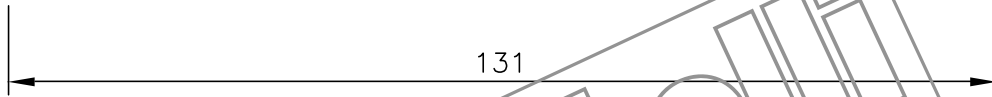
x 2



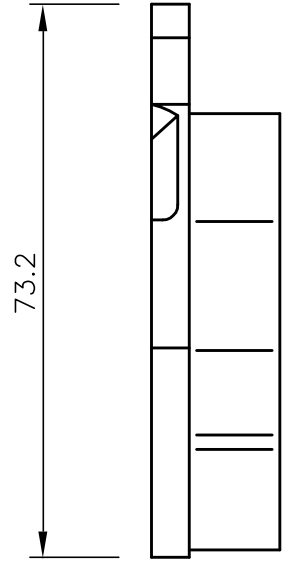
L = 340



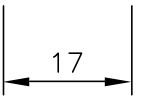
x 4



131



73.2



17

metelli

metelli