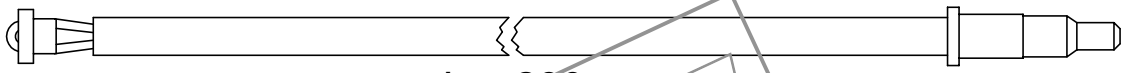
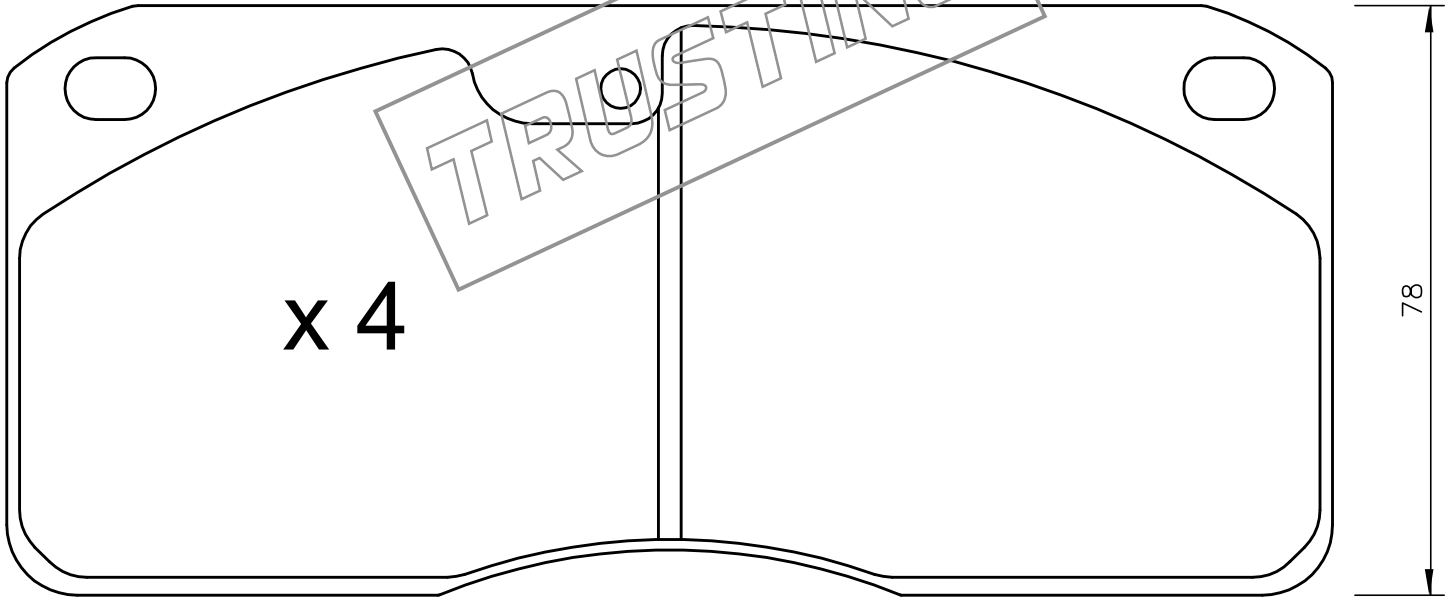


x 2



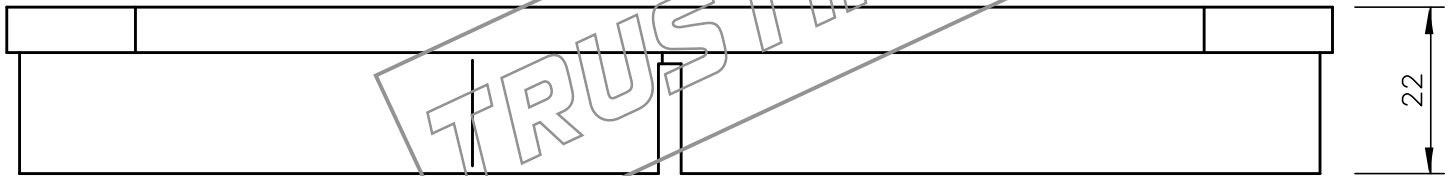
L = 230

x 4



175.4

78



22

TRUSTING