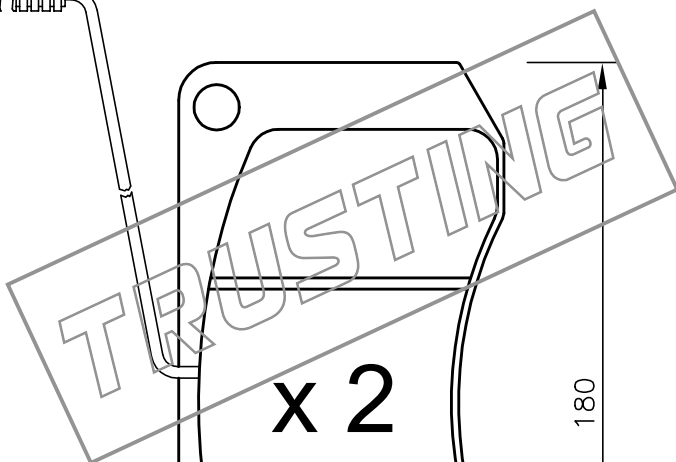
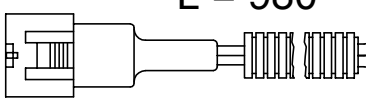


L = 980



scale 1:2

