



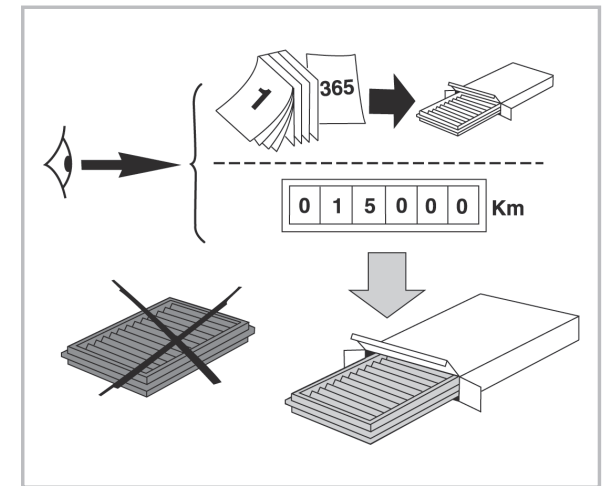
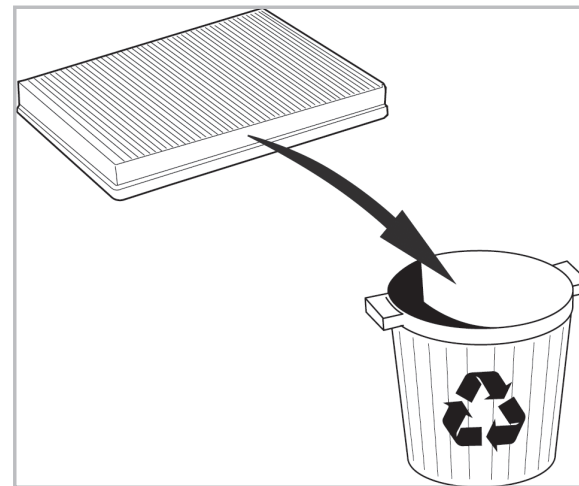
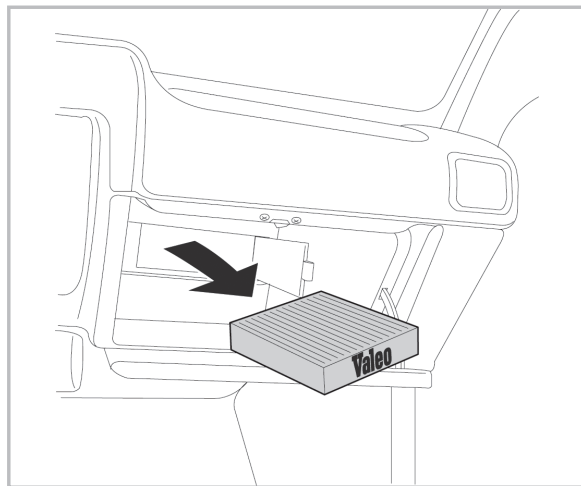
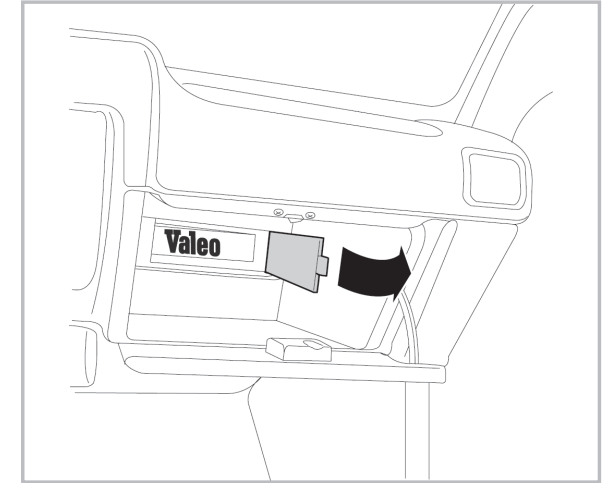
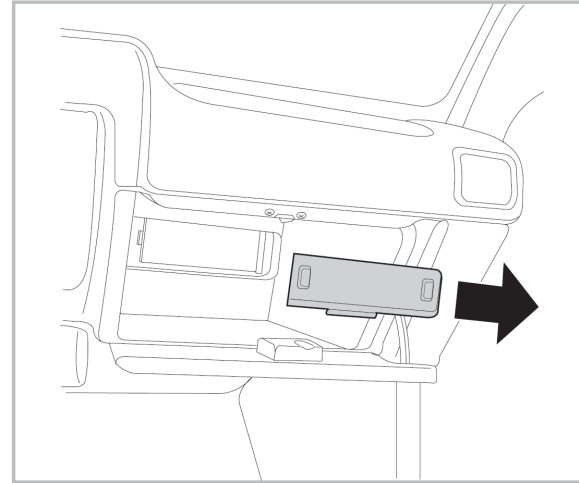
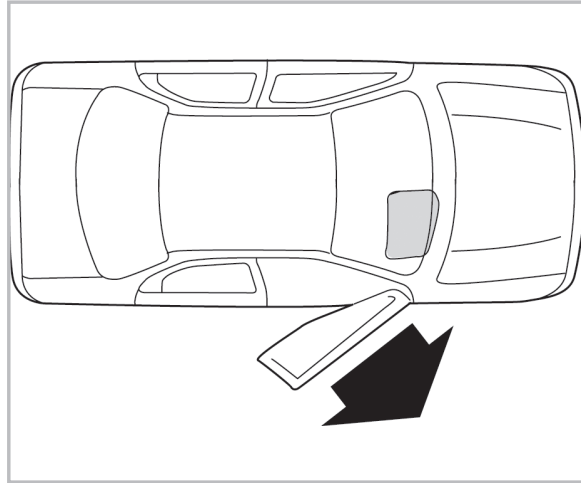
FOR
SUZUKI

GRAND VITARA A/C+ (05/98 > 03/03)



COMFORT

particle
filter



698894

FH138



PA

**WANT TO
KNOW MORE?**



www.valeo-techassist.com