



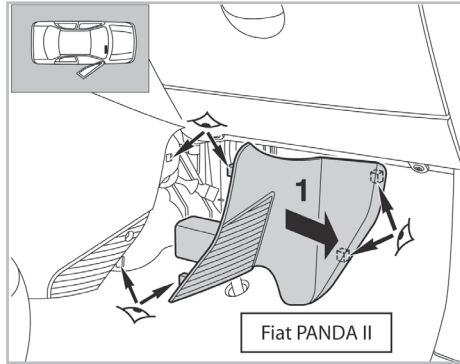
FOR
FIAT
FORD

PANDA A/C+/- (09/03 >)
KA II A/C+/- (12/08 >)

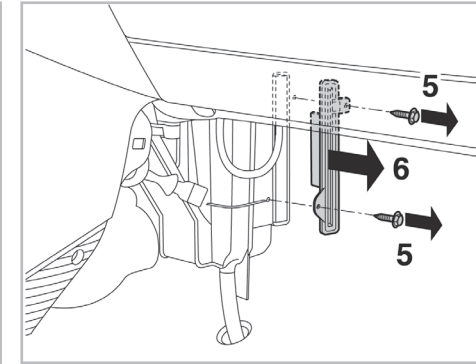
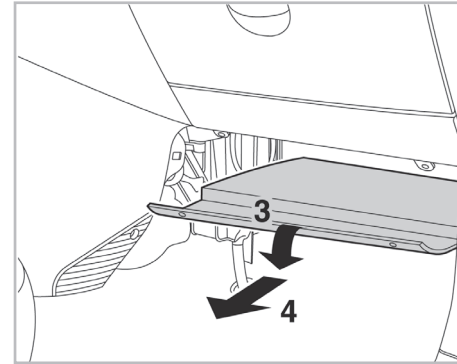
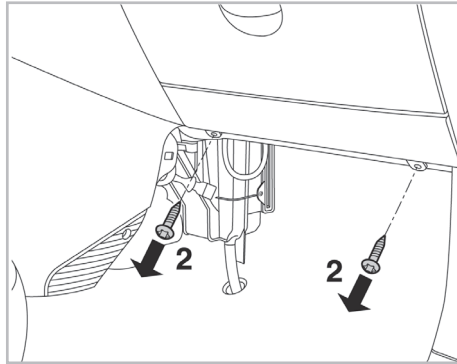


PROTECT

combined with
active carbon

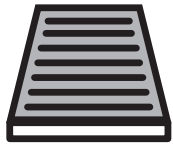


Fiat PANDA II

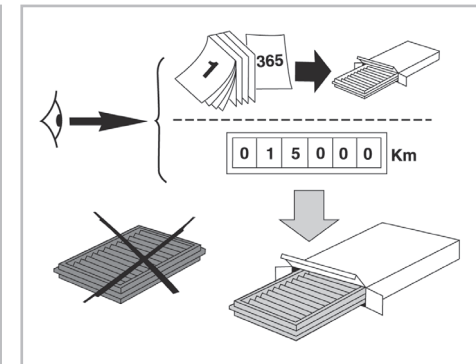
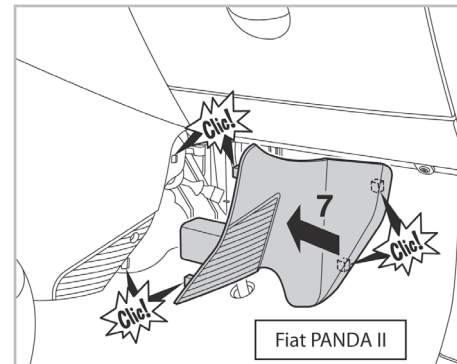
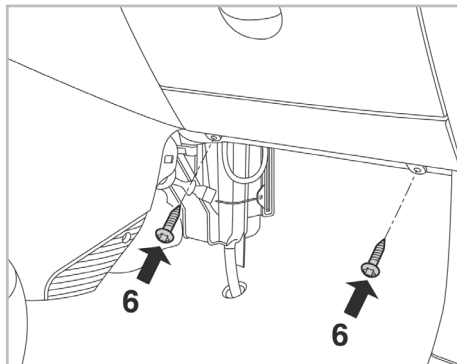
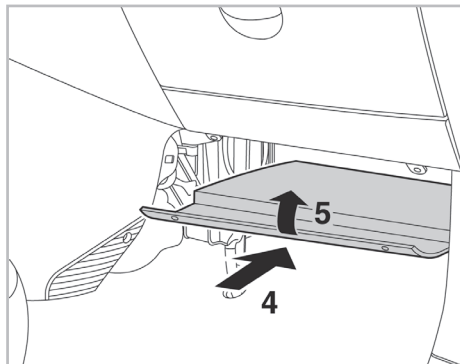
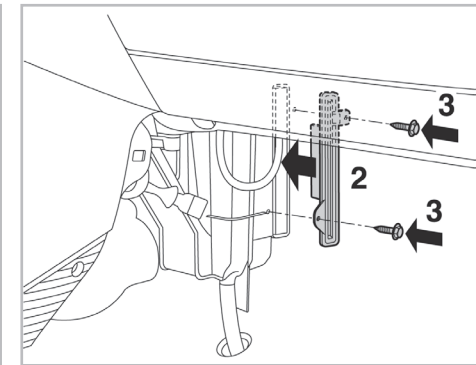
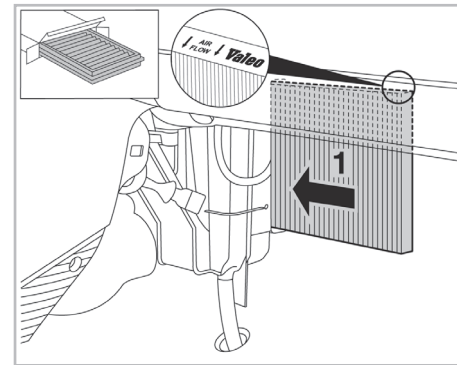
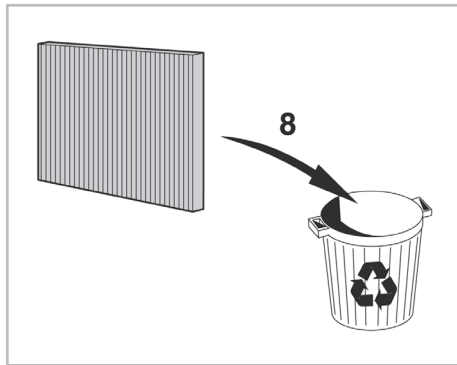
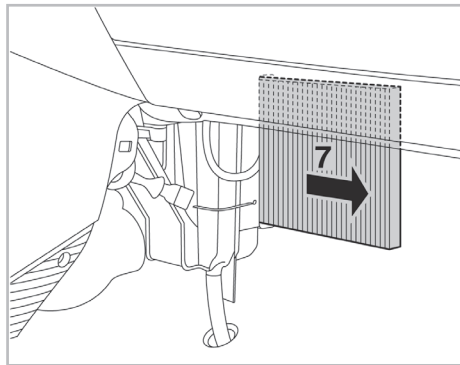


715723

FH446



CA



**WANT TO
KNOW MORE?**

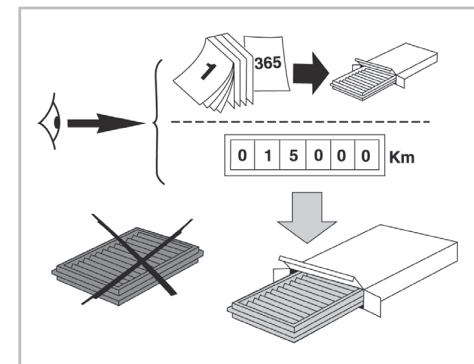
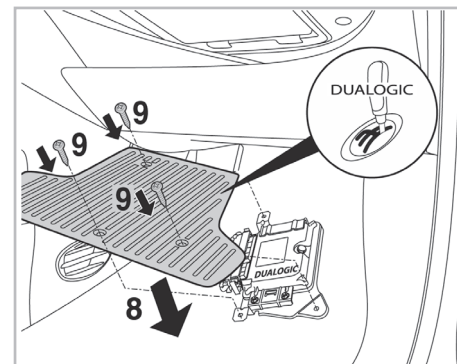
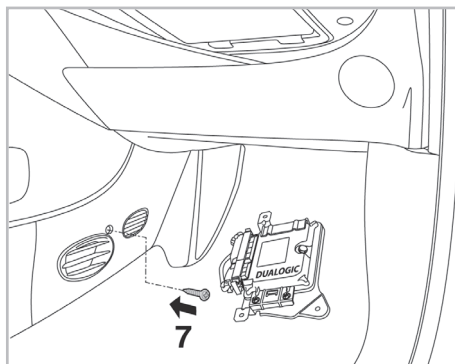
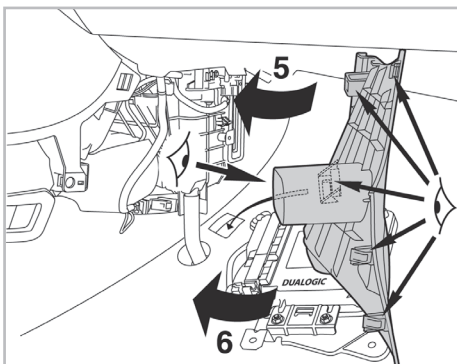
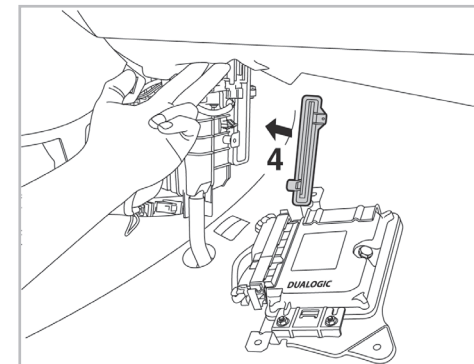
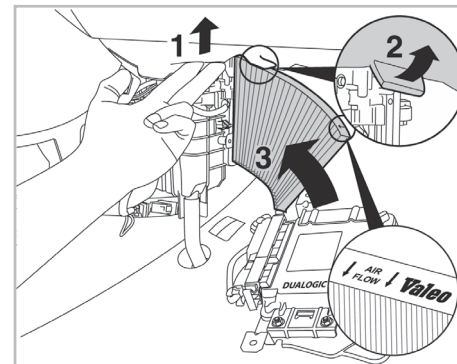
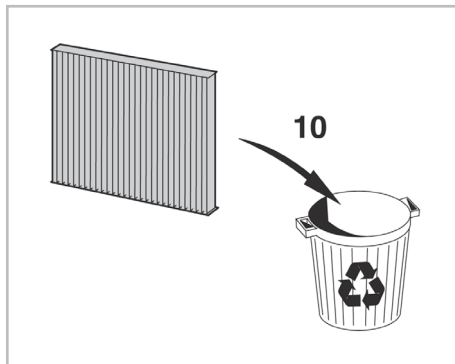
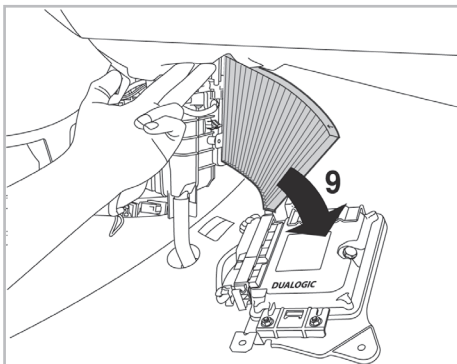
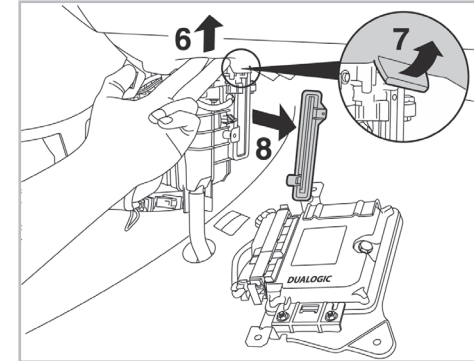
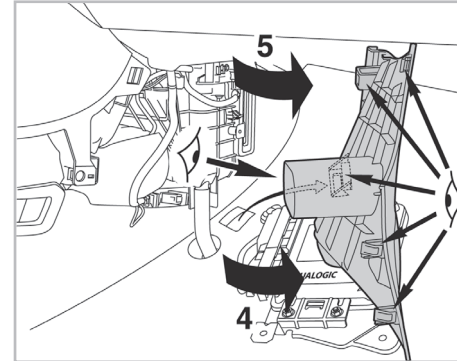
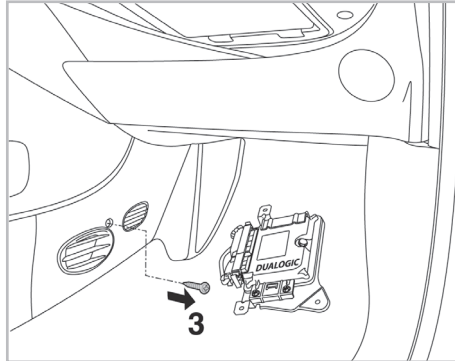
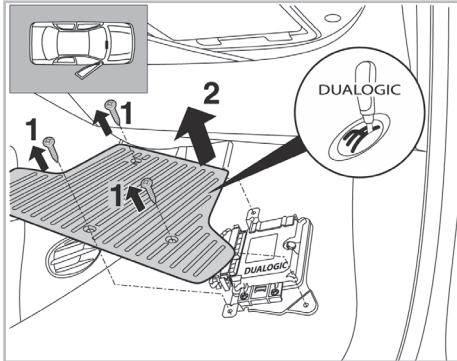


www.valeo-techassist.com

Valeo Service - Société par Actions Simplifiée - Capital de 12 900 000 € - 70, rue Pleyel, 93285 Saint-Denis Cedex - France - B 306 408 RCS Bobigny

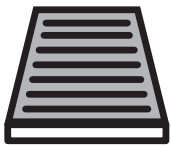
PROTECT

combined with
active carbon



715723

FH446



CA

**WANT TO
KNOW MORE?**



www.valeo-techassist.com