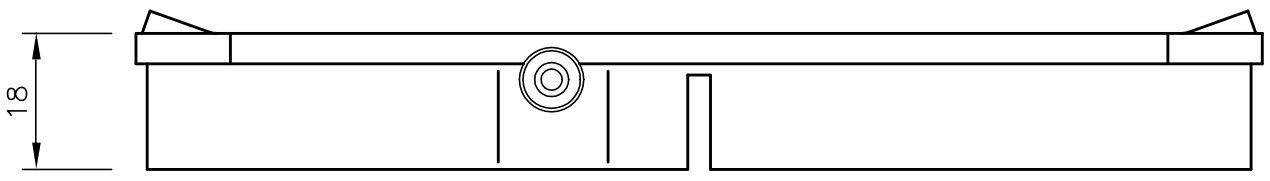
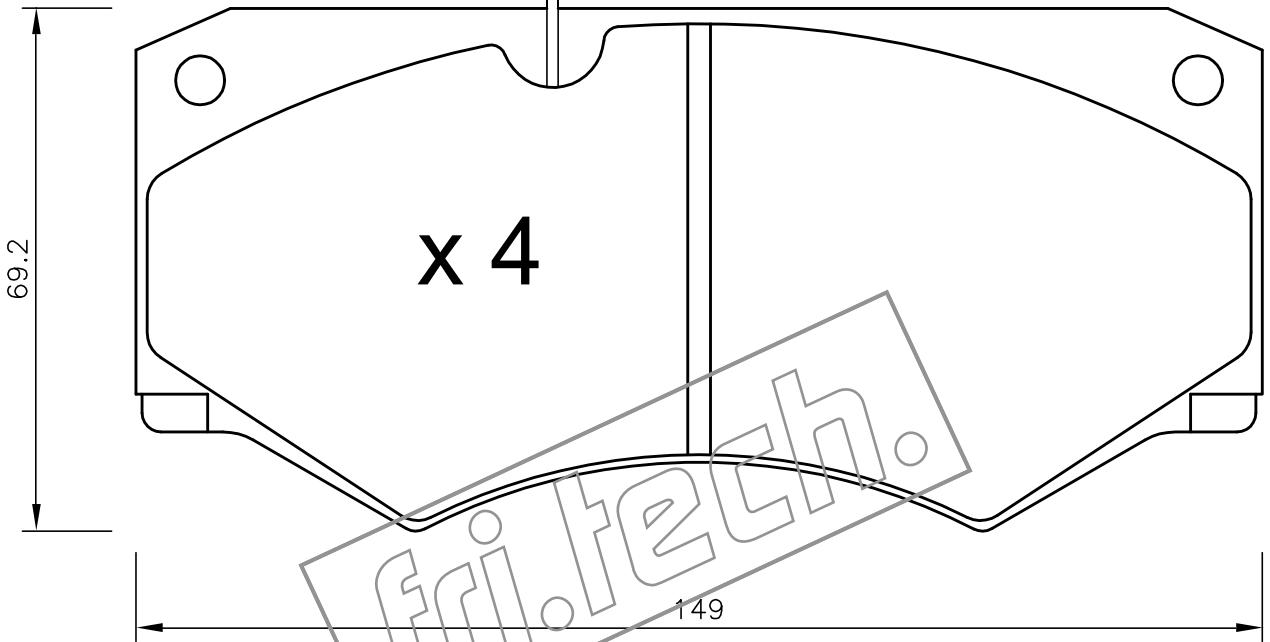


fri.tech.

L = 180 (EXTENDED - DISTESO)



fri.tech.