

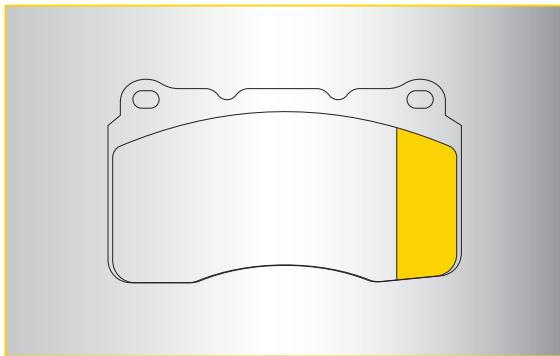


DIRECTIONAL BRAKE PADS

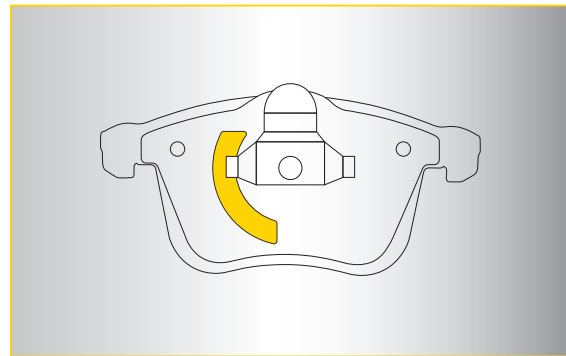
INTRODUCTION

One of the biggest challenges presented to brake pad manufacturers by vehicle manufacturers is to control and reduce brake noise. To solve the problem, with some specific brake systems, there has been the development of the asymmetrical brake pad designs which introduce the brake pad to the disc at an angle. In doing so, the

potential for vibration and noise is significantly reduced. Jurid deploys two methods to achieve the angle of introduction. One is the use of a chamfer on the friction surface and the second is a cut-out of the noise reduction shim on the backing plate. Both are easy for the technician to see and understand that the pads need to be positioned in a specific way.



CHAMFERS ON FRICTION SURFACE OF THE BRAKE PAD

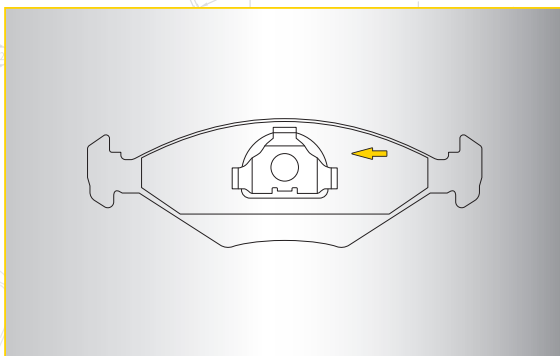


CUT-OUT OF THE NOISE REDUCTION SHIM

FITTING DIRECTIONAL BRAKE PADS

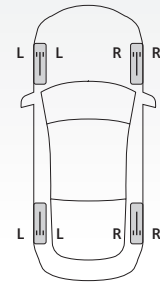
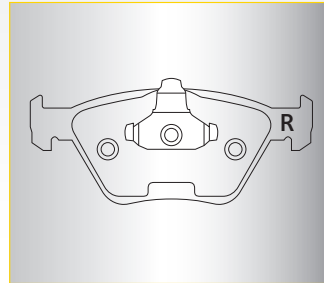
Many directional pads have an arrow on the back plate to indicate the rotational direction of the brake disc. When fitting these brake pads, make sure the

arrow points in the same direction as the wheels turn during forward driving.



Some directional pads do not use an arrow but instead include a letter. The letter indicates to which side of the vehicle the brake pad should be fitted.

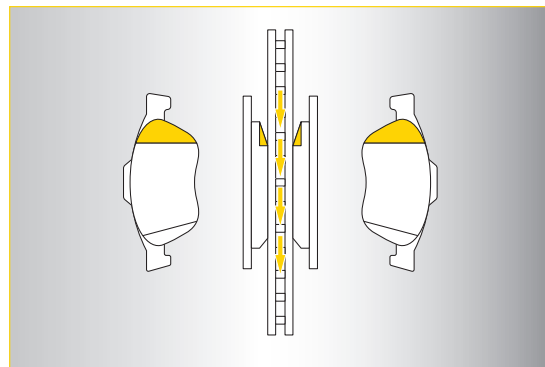
When the letter R is used, the brake pad should be fitted to the right-hand side of the vehicle.
When an L is used, fit it to the left-hand side.



FITTING BRAKE PADS WITH A CHAMFER ON THE FRICTION SURFACE

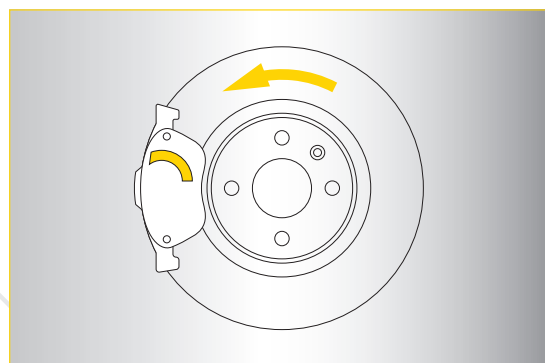
If no arrow or letter is used but the Jurid pads are equipped with a chamfer, the chamfer needs to be presented at the leading edge where the pad first contacts the brake disc when fitting the brake pads.

Where the pads are equipped with a chamfer on both edges, the edge with the bigger chamfer area should be presented to the leading edge where the pad first contacts the brake disc.



FITTING BRAKE PADS WITH A CRESCENT CUT-OUT TO THE NOISE REDUCTION SHIM

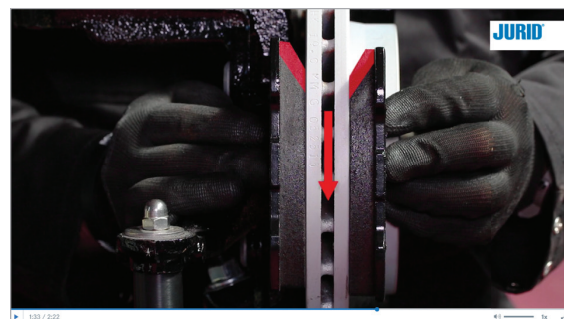
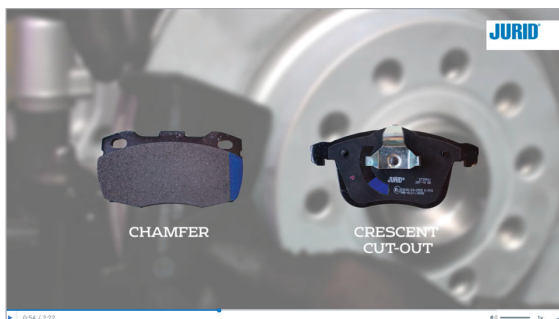
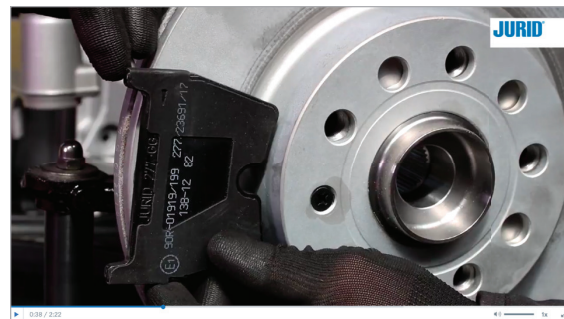
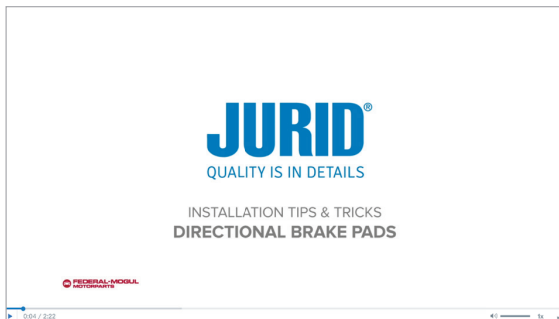
If no arrow or letter is used but the Jurid pads are equipped with a crescent or half-moon cut-out from the noise reduction shim, the crescent or half-moon needs to be presented at the leading edge where the pad first contacts the brake disc.



BROWSE THROUGH OUR RANGE OF DIRECTIONAL BRAKE PADS:

572494J	573017J	571921J	573723J
573644J	573025J	573045J	573089J
571975J	573245J	573206J	573257J
573153J	573204J	573037J	573268J
573159J	572600J	573178J	573606J
573391J	573674J	573090J	573657J
572480J	573621J	573052J	573688J
573180J	571982J	573257J	573418J
573145J	571984J	573291J	573390J

DISCOVER OUR DETAILED INSTALLATION VIDEOS ON YouTube



For informational purposes only. We are not liable for any damages resulting from your reliance on this content.

